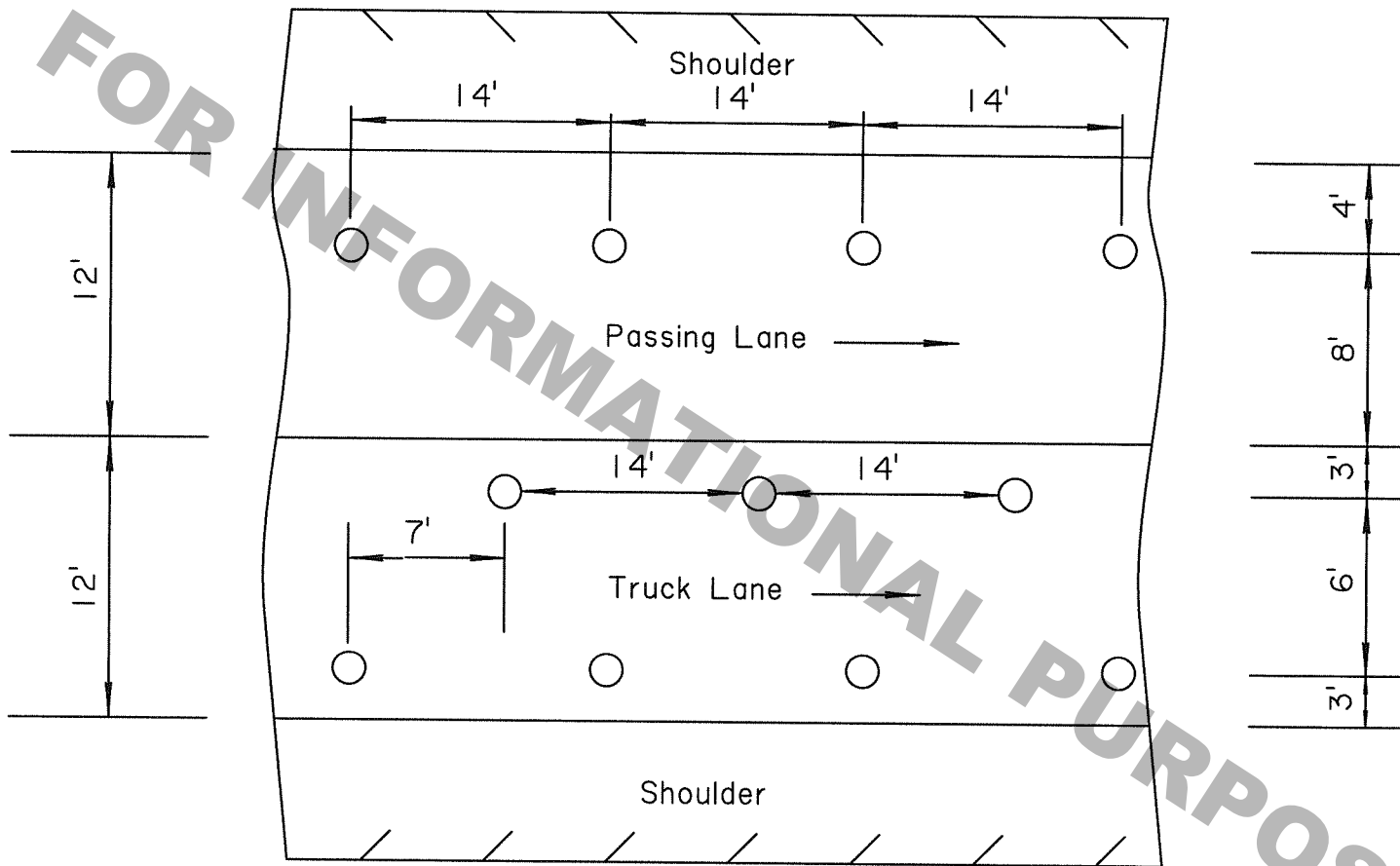
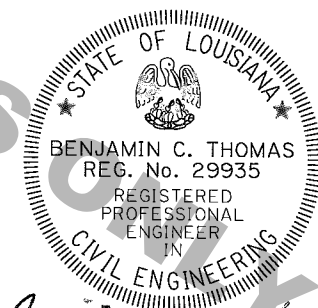


FOR INFORMATIONAL PURPOSES



NOTES:

1. Maximum distance between hole drilling and undersealing operation shall be 1000'.
2. Hole pattern may be changed as directed by Project Engineer.
3. All work on this detail to be paid for under the item labeled: Undersealing Pavement, and the item labeled: Holes.
4. Detail not to scale.



*Benjamin C. Thomas*  
9-6-16



UNDERSEALING CRCP

CPR-13



NO.	DATE	REVISION OR CHANGE ORDER DESCRIPTION	BY

DESIGNED CHECKED	BCT	PARISH	
DETAILED CHECKED	TDL BCT	CONTROL SECTION	
SERIES NUMBER	08-25-16 1 OF 1	STATE PROJECT	

SHEET NUMBER